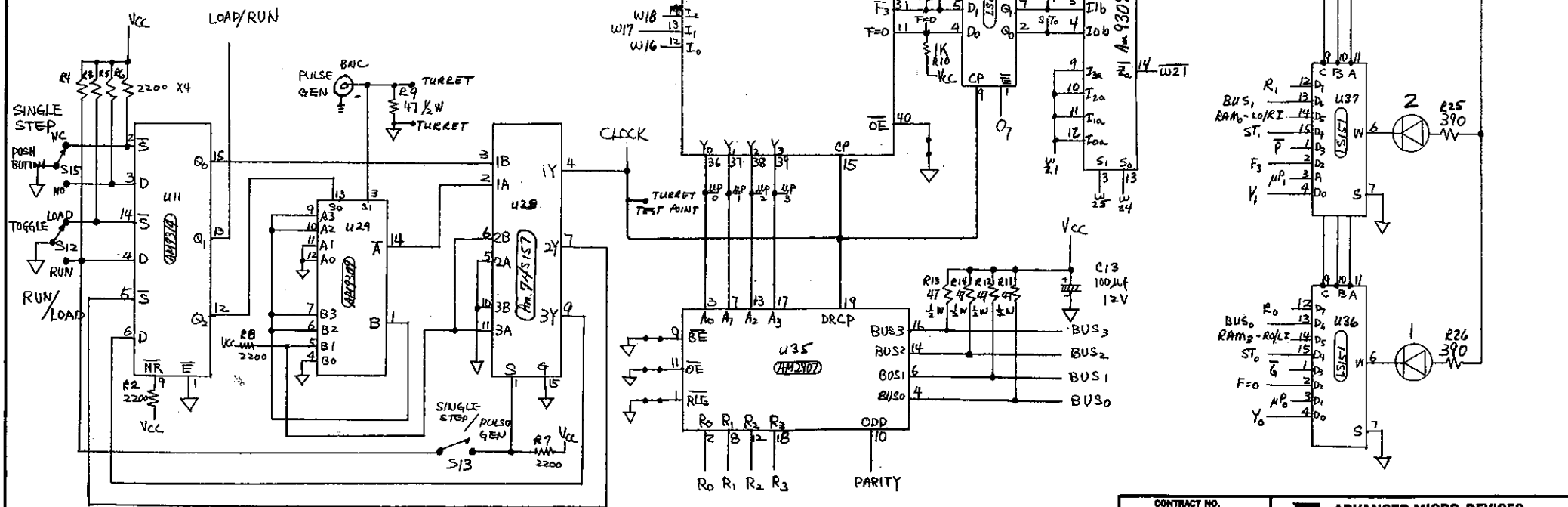
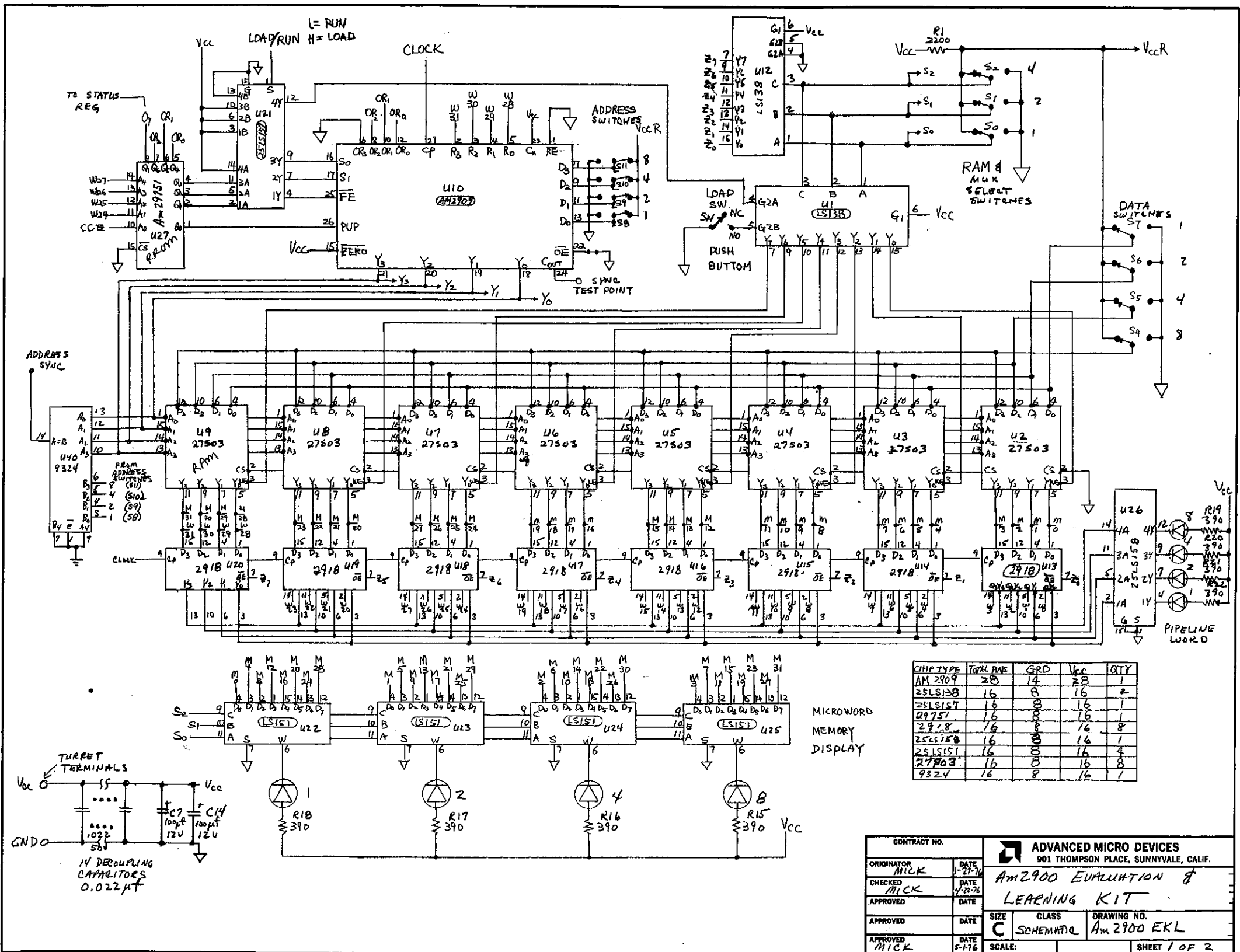


CHIP TYPE	Total Pins	GRD	Vcc	QTY
AM2901	40	30	10	1
AM2907	20	5, 15	20	1
25LS253	16	8	16	2
9214	16	8	16	1
25LS151	16	8	16	4
25LS08	16	8	16	1
25LS157	16	8	16	1
AM9309	16	8	16	2



OPEN = SINGLE STEP
CLOSED = PULSE GEN

CONTRACT NO.		ADVANCED MICRO DEVICES 901 THOMPSON PLACE, SUNNYVALE, CALIF.	
ORIGINATOR MICK	DATE 1-27-76	Am2900 EVALUATION & LEARNING KIT	
CHECKED MICK	DATE 2-1-76		
APPROVED mick	DATE 4-22-76	SIZE C	CLASS SCHEMATIC
APPROVED	DATE	DRAWING NO. Am2900EKL	
APPROVED MICK	DATE 5-1-76	SCALE:	SHEET 2 OF 2



CHPTYPE	TOTL PAKS	GRD	Vcc	QTY
AM 2909	28	14	28	1
25LS138	16	8	16	2
25LS151	16	8	16	1
2918	16	8	16	1
2918	16	8	16	8
25LS158	16	8	16	1
25LS151	16	8	16	4
27503	16	8	16	8
9324	16	8	16	1

MICROWORD
MEMORY
DISPLAY

CONTRACT NO.		ADVANCED MICRO DEVICES 901 THOMPSON PLACE, SUNNYVALE, CALIF.	
ORIGINATOR <i>MICK</i>	DATE 1-27-76	Am2900 EVALUATION & LEARNING KIT	
CHECKED <i>MICK</i>	DATE 1-28-76	SIZE C	CLASS SCHEMATIC
APPROVED	DATE	DRAWING NO. Am 2900 EKL	
APPROVED	DATE	SCALE:	SHEET / OF 2
APPROVED <i>MICK</i>	DATE 5-1-76		